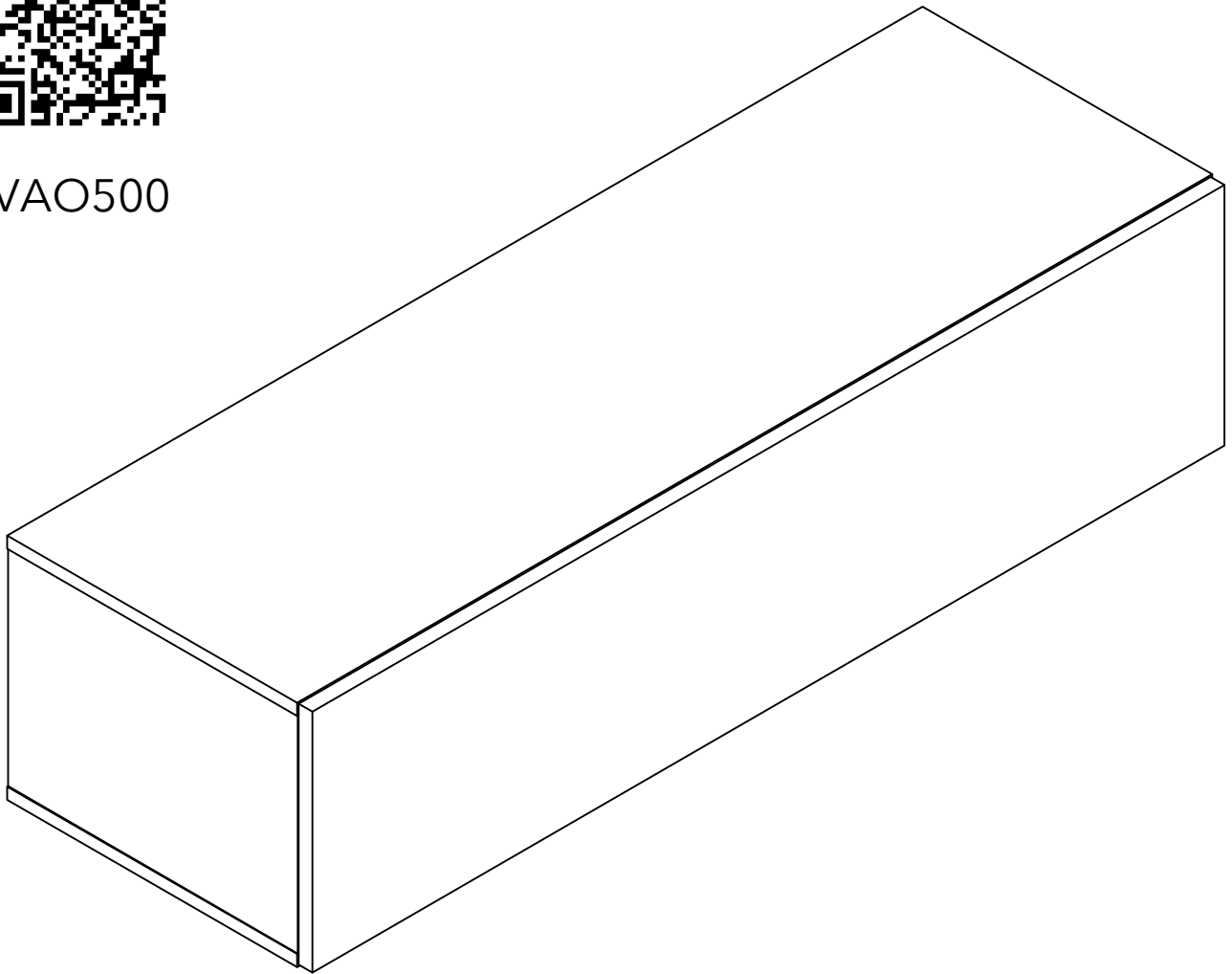
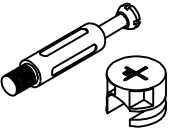
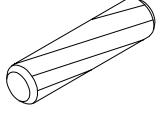

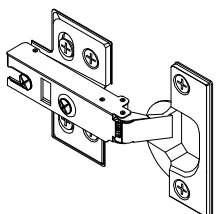
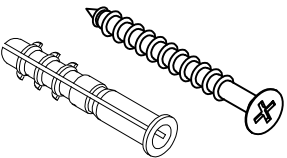

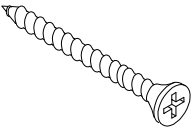
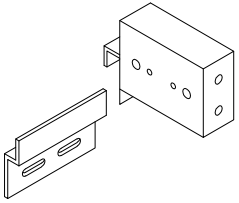
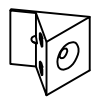
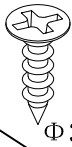
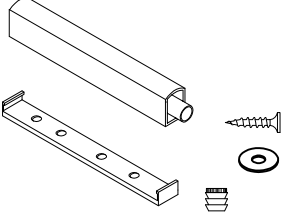

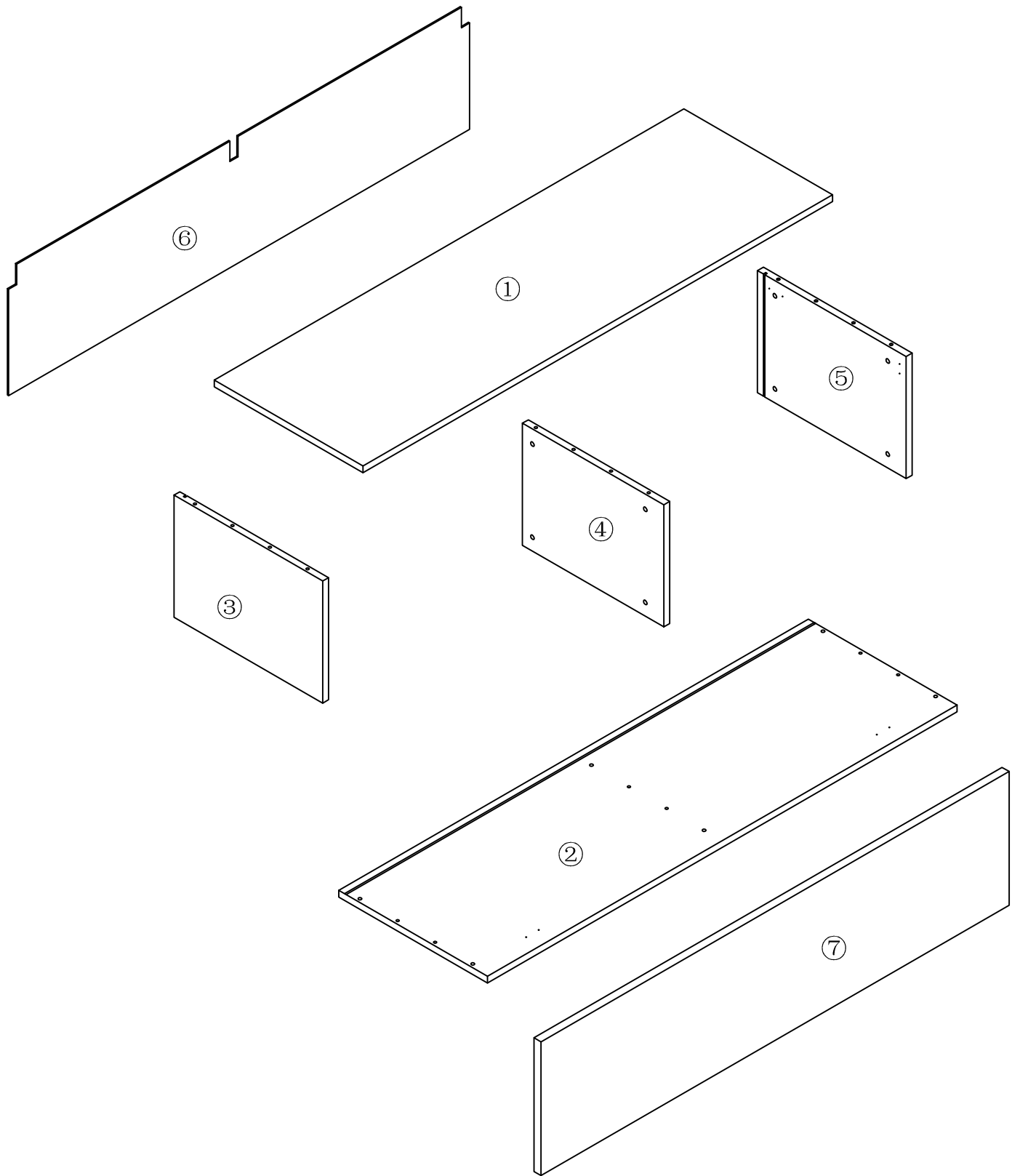




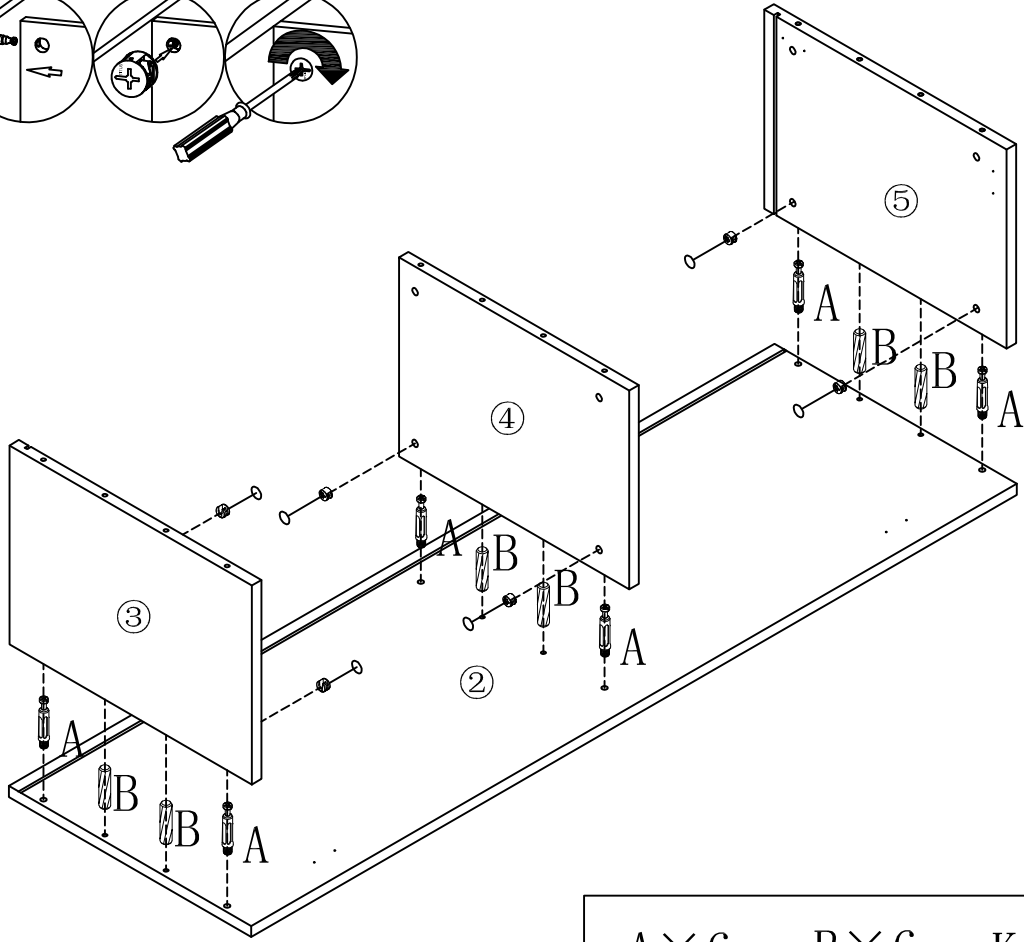
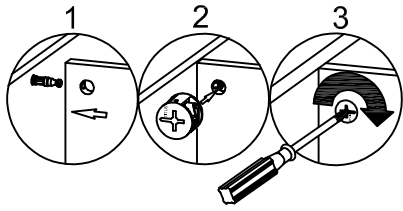
TVAO500



	 $\Phi 8*40$		
$A \times 12$	$B \times 12$	$C \times 2$	$D \times 2$
 $\Phi 8*60$	 $\Phi 3.5*14$	 $\Phi 3.5*30$	
$E \times 6$	$F \times 26$	$G \times 6$	$H \times 3$
<div style="display: flex; align-items: center;"> <div style="margin-right: 10px;">$I1$</div>  </div> <div style="display: flex; align-items: center; margin-top: 10px;"> <div style="margin-right: 10px;">$I2$</div>  </div> <p style="margin-left: 150px;">$\Phi 3*14$</p>		 $\Phi 20$	
$I \times 10$	$J \times 1$	$K \times 12$	



1

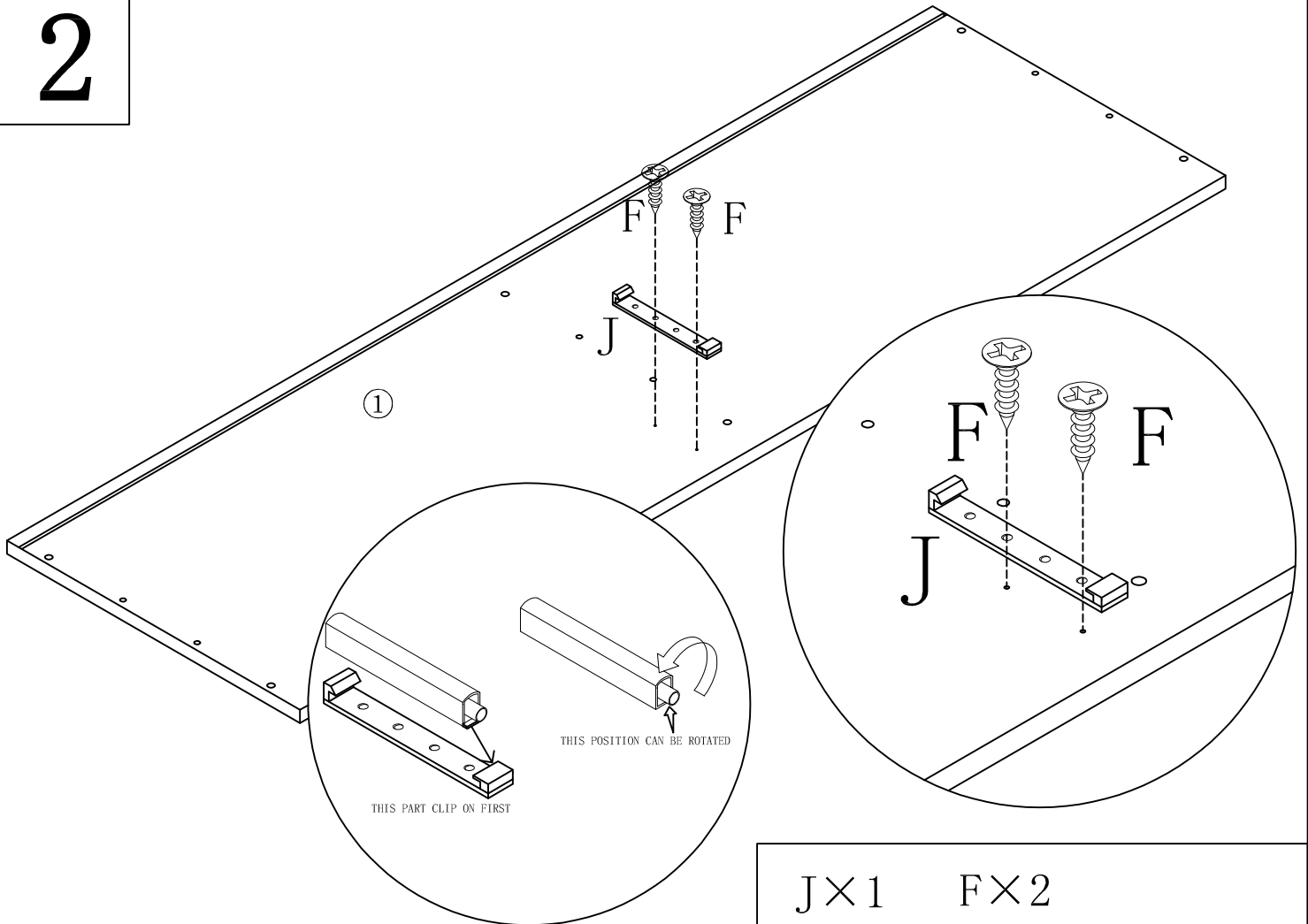


A×6

B×6

K×6

2



①

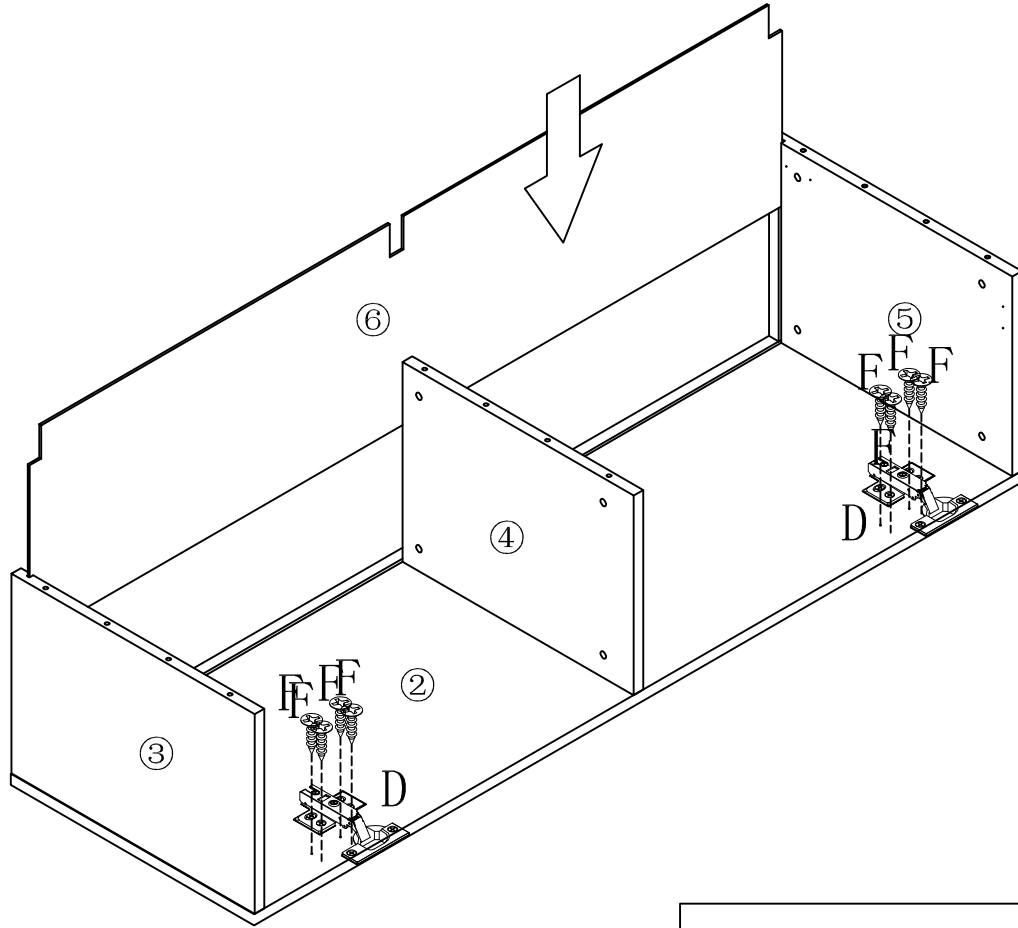
THIS POSITION CAN BE ROTATED

THIS PART CLIP ON FIRST

J×1

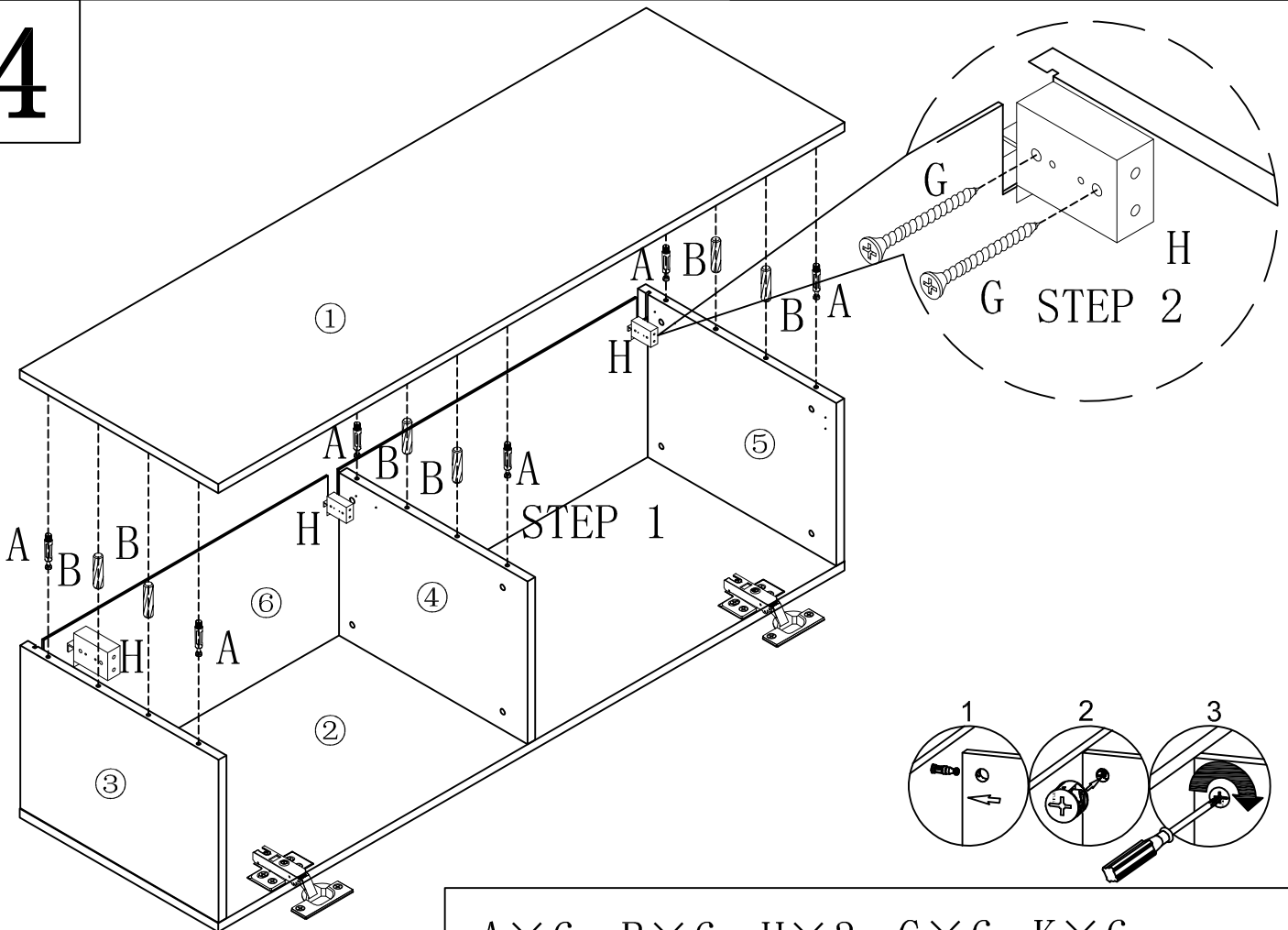
F×2

3



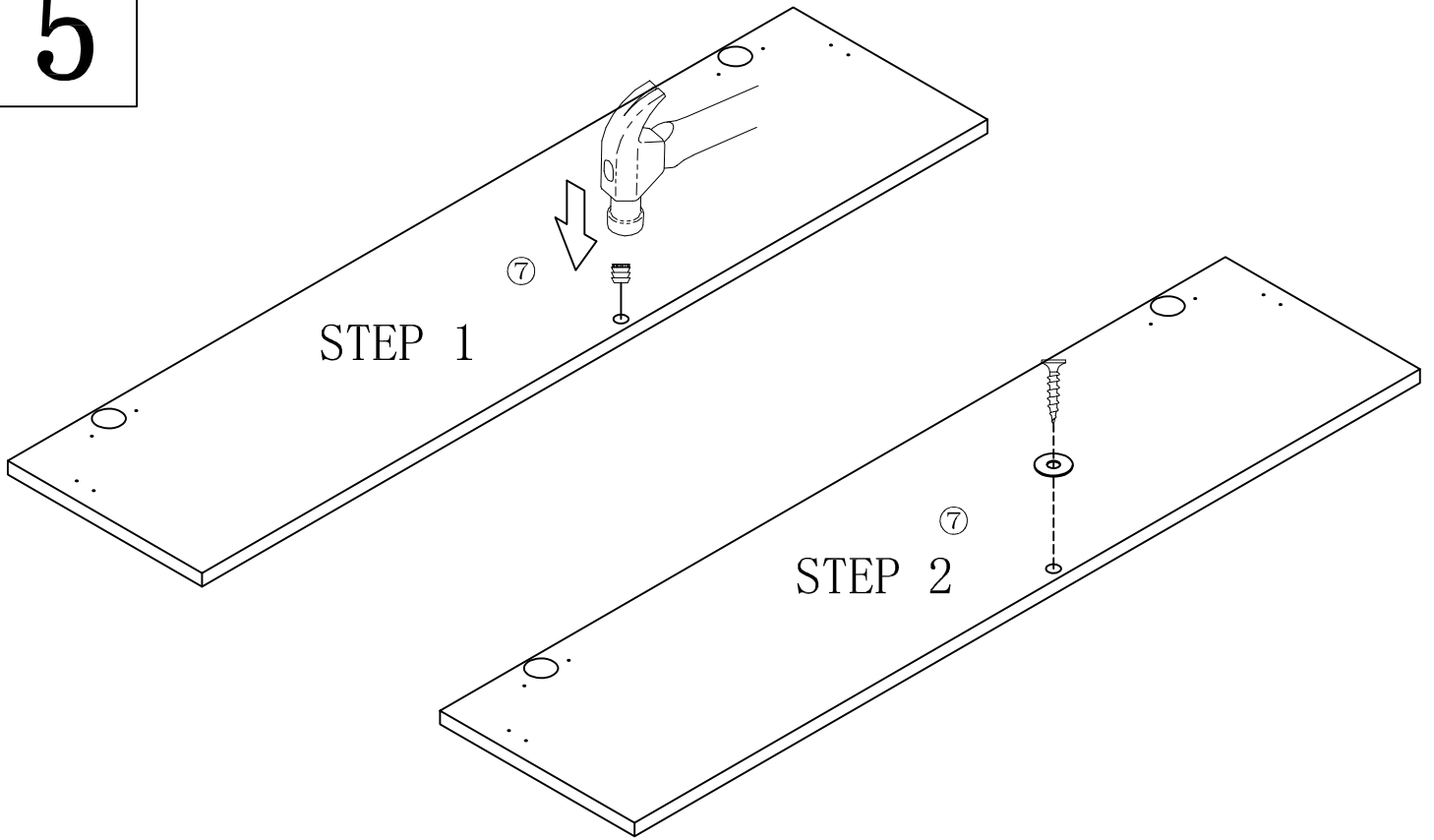
D×2 F×8

4



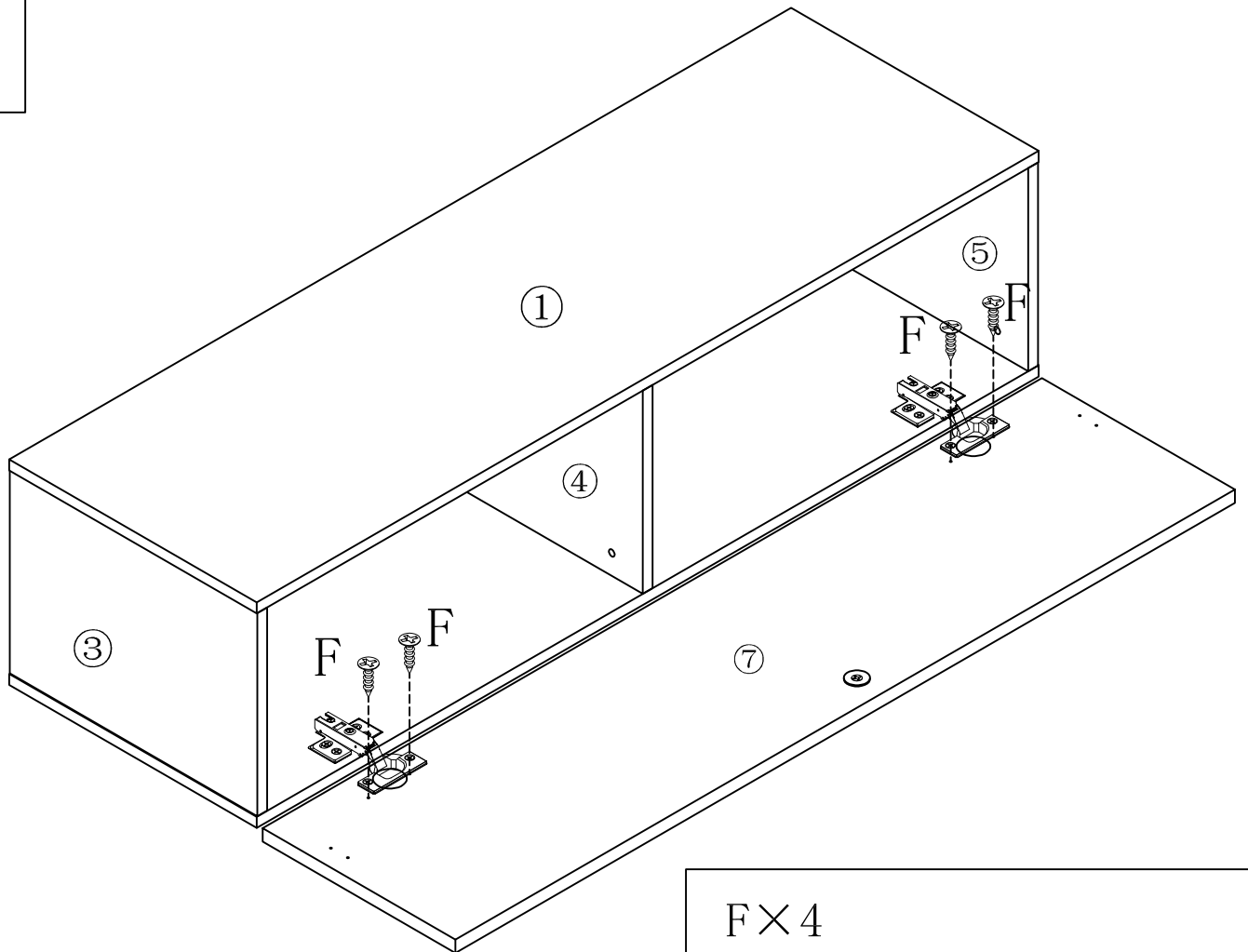
A×6 B×6 H×3 G×6 K×6

5



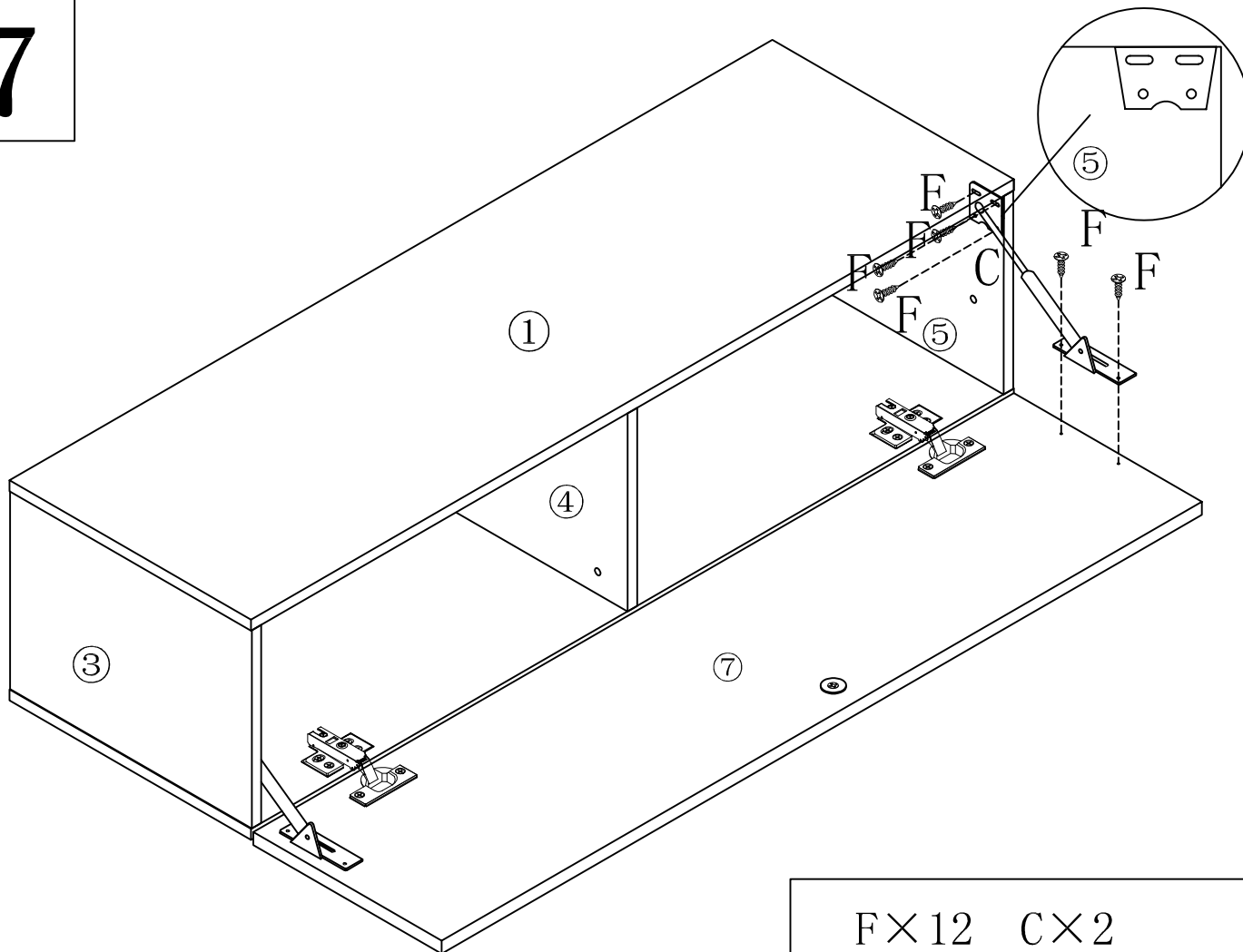
J × 1

6

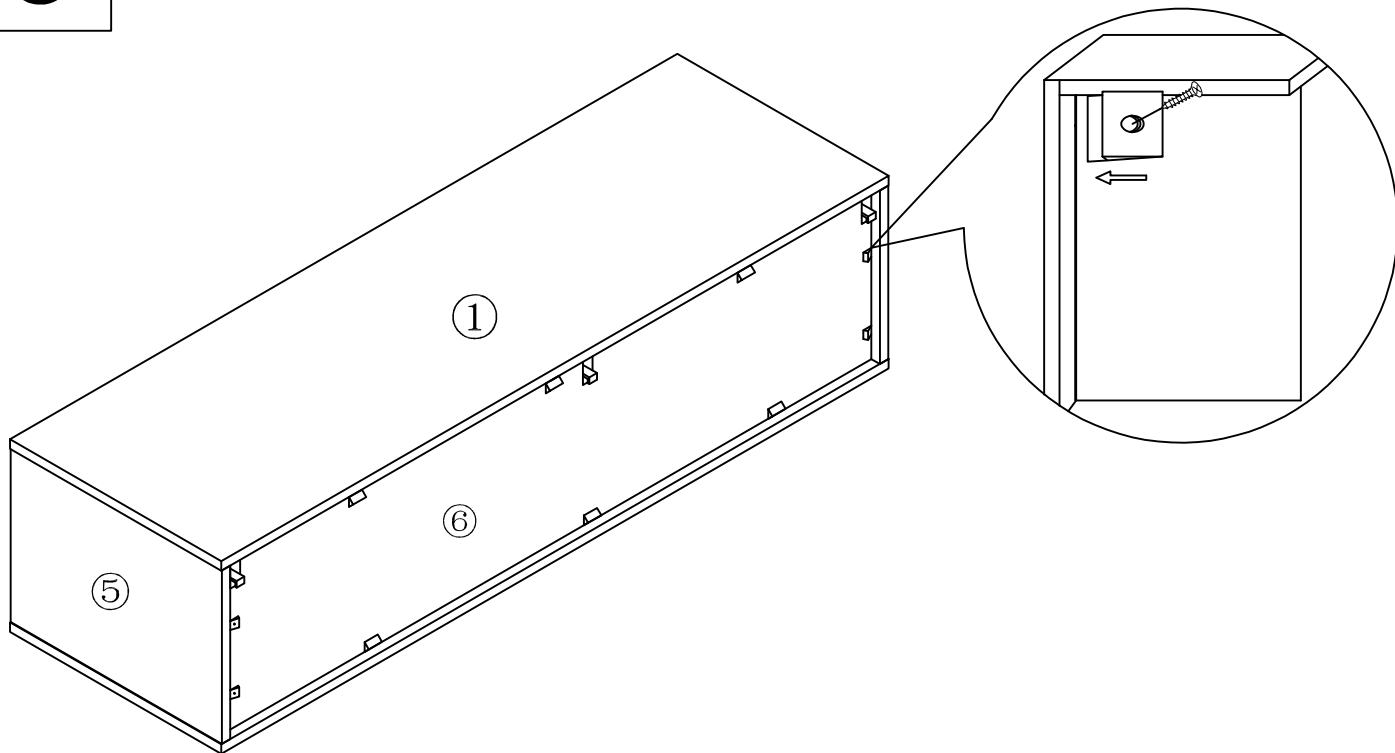


F × 4

7

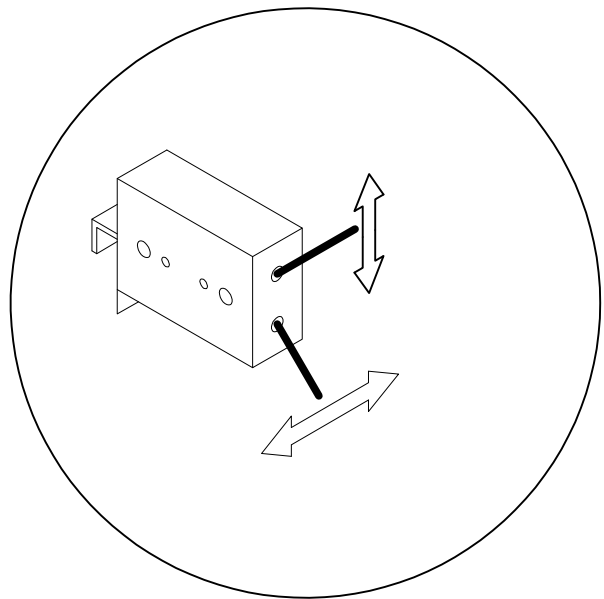
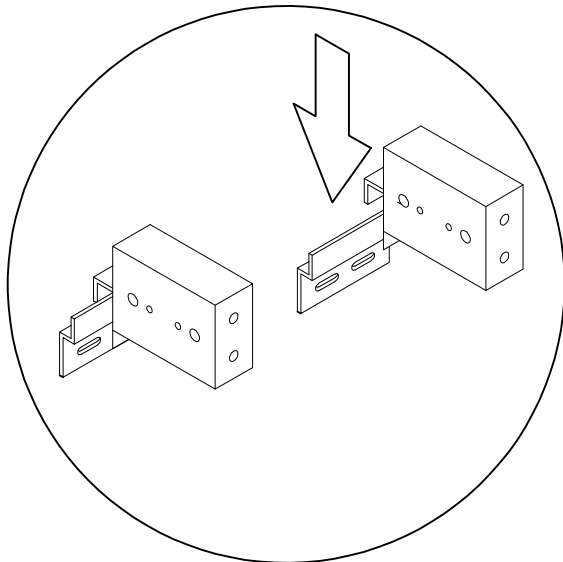
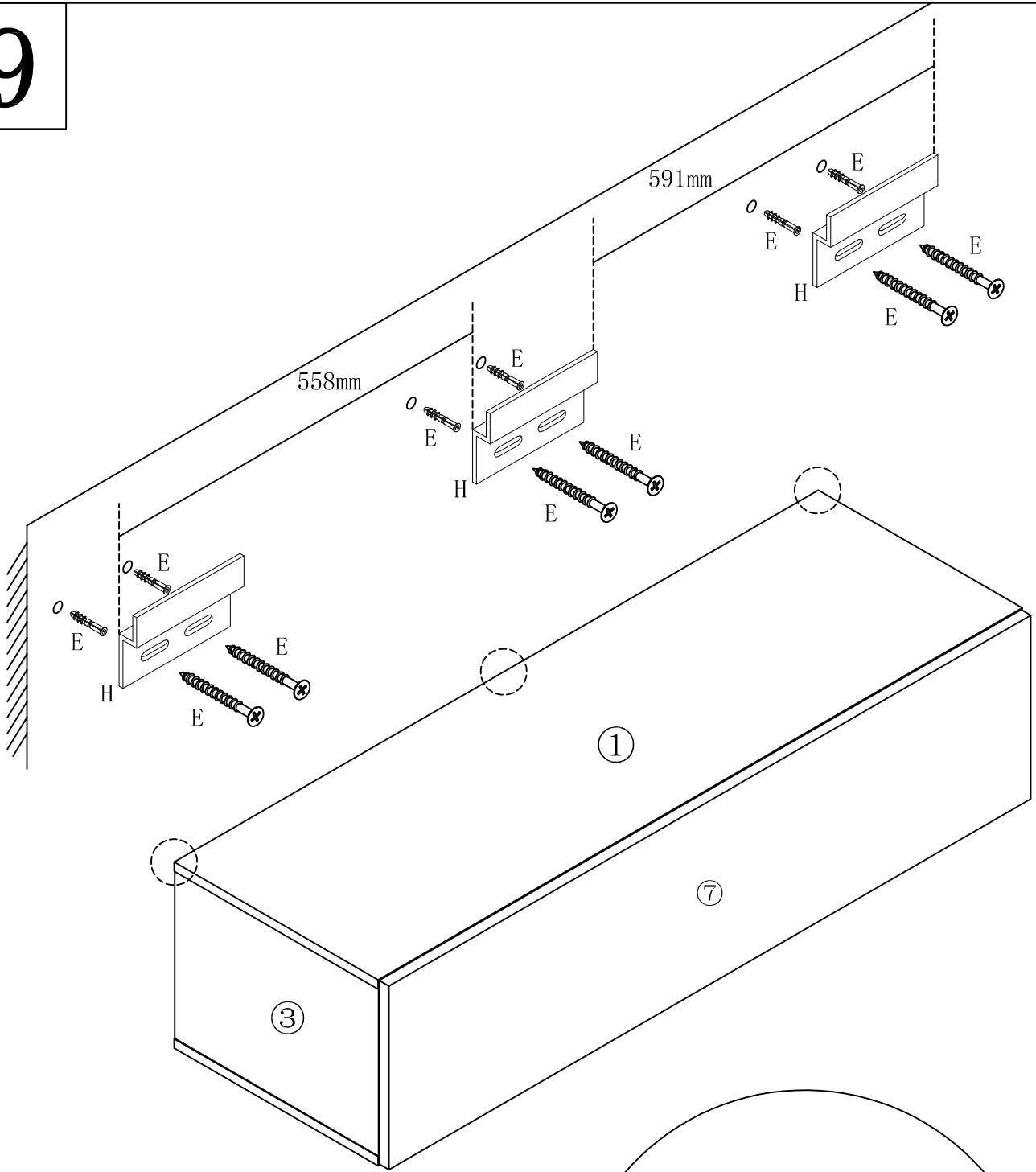


8



$I1 \times 10$ $I2 \times 10$

9



E×6 H×3