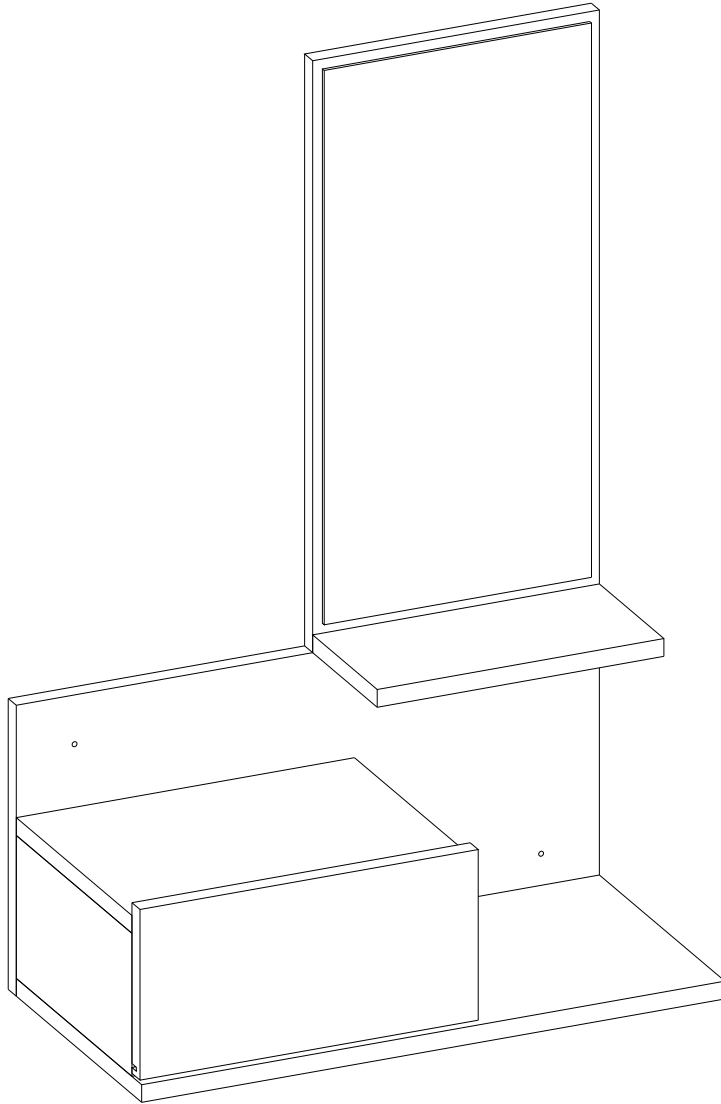
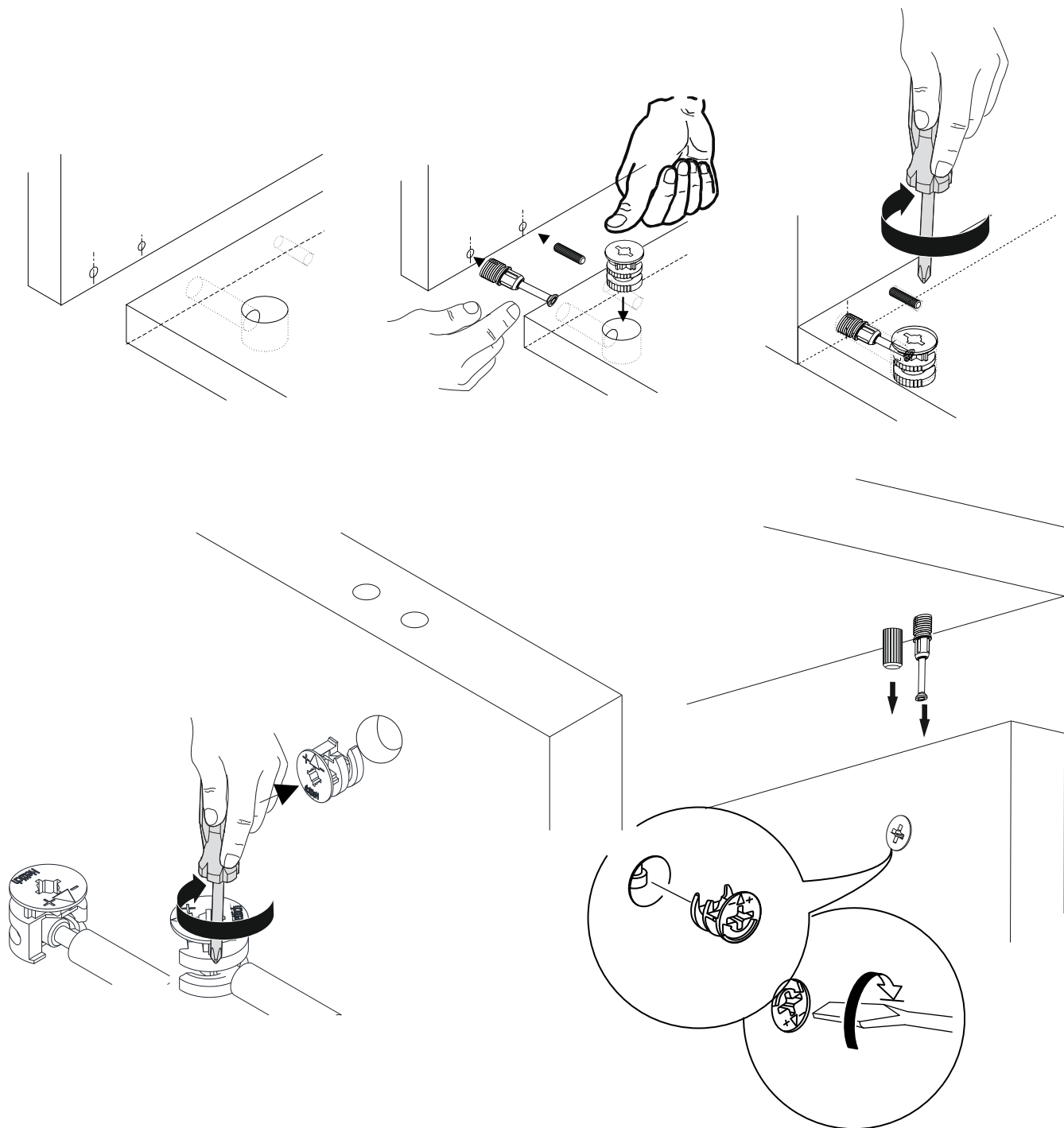
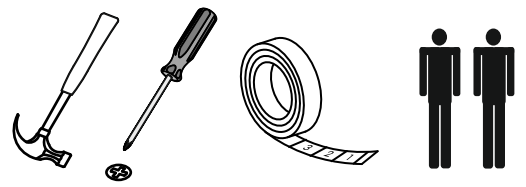


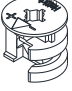
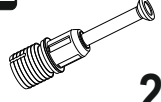




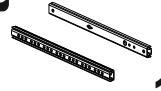


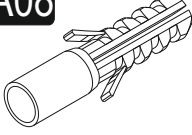
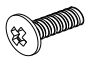
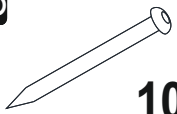


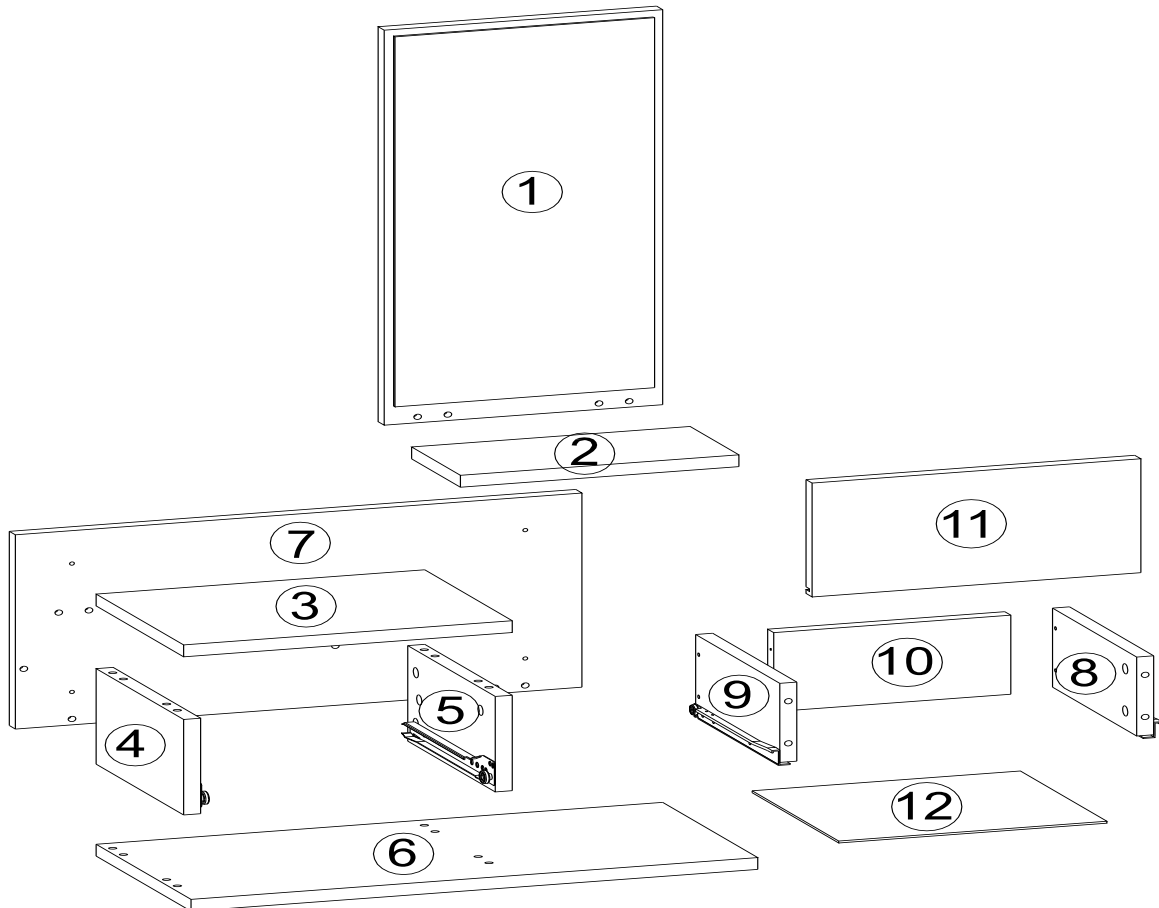
REDF302



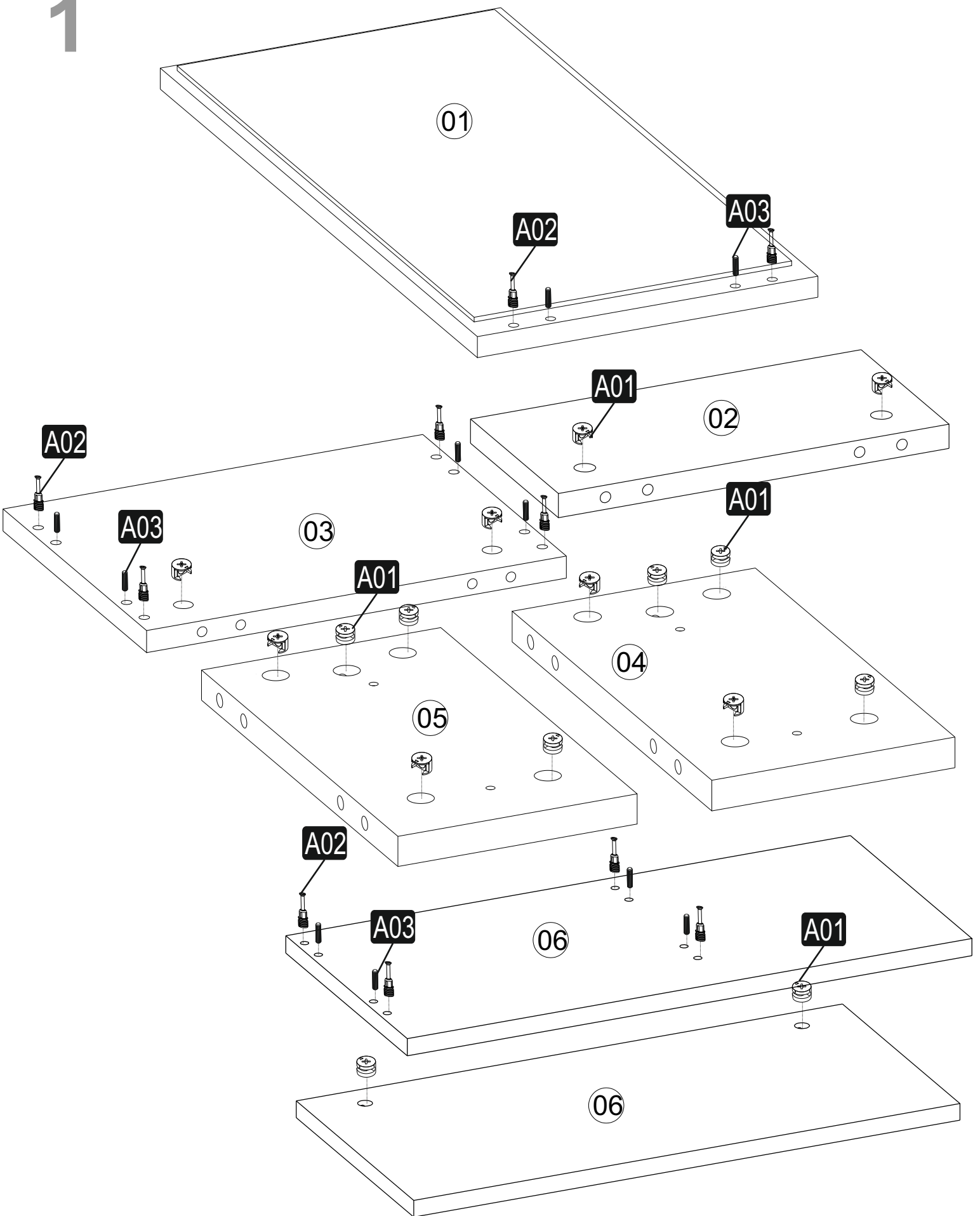




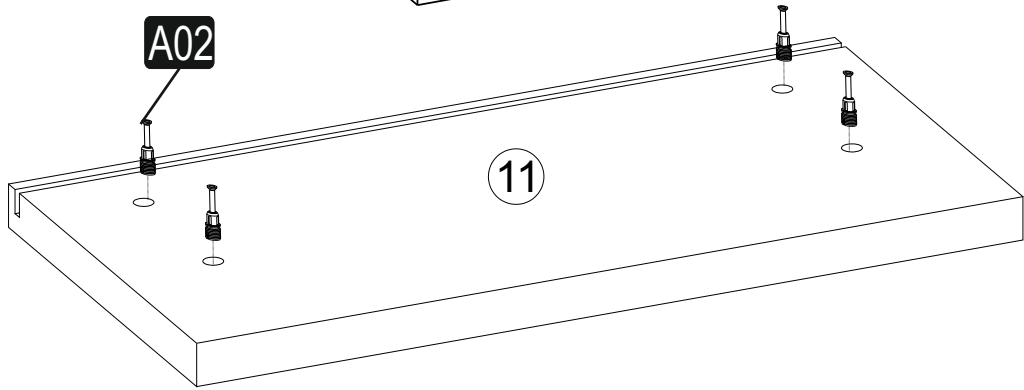
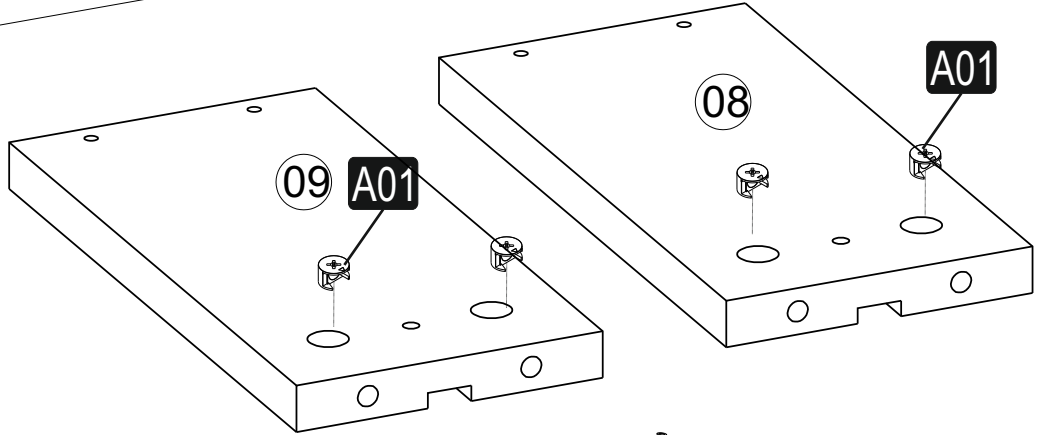
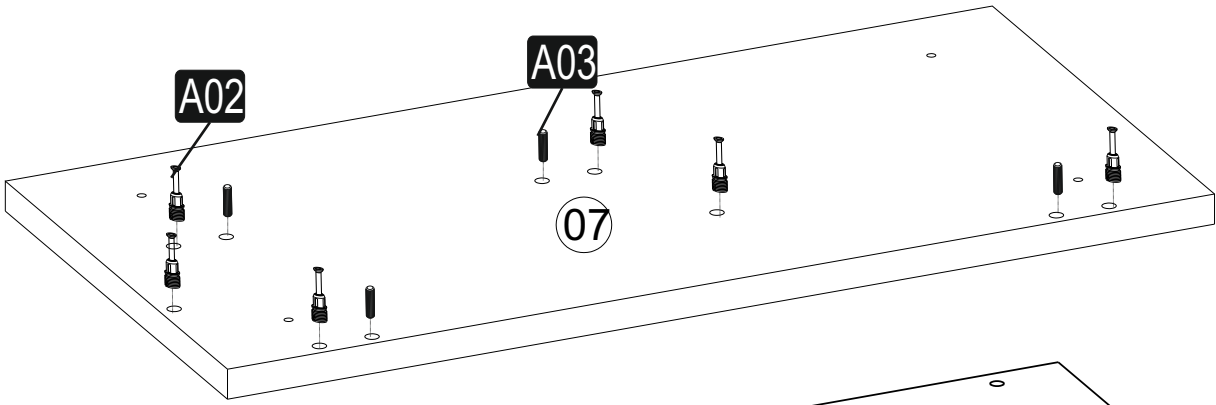
A01  20x	A02  20x <small>17mm</small>	A03  14x	A16  A 8x <small>4x50</small>	A04  A 20x
B23  2x <small>M4x15 YHB</small>	D53  1x <small>246 mm</small>	A10  8x <small>3,5x18</small>	A09  10x	A08  6x
D09  2x <small>M4x15 YHB</small>	A28  10x			



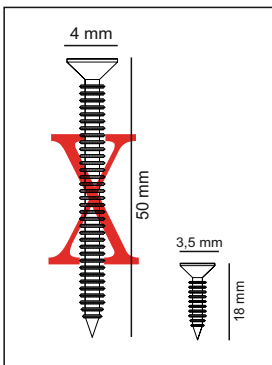
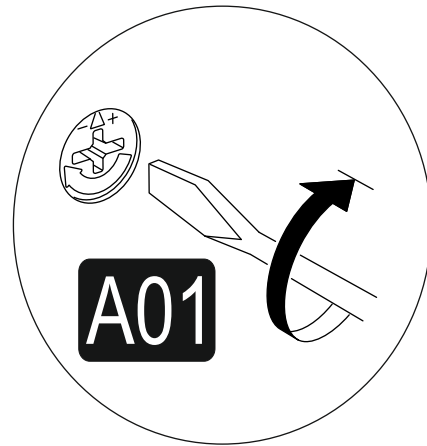
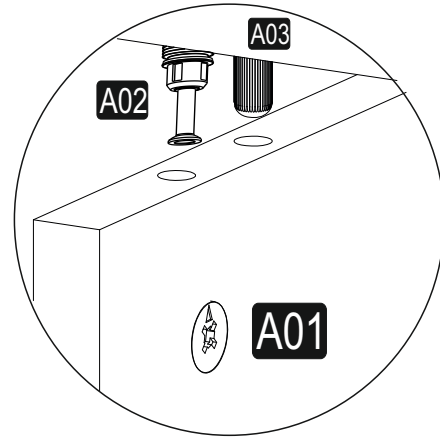
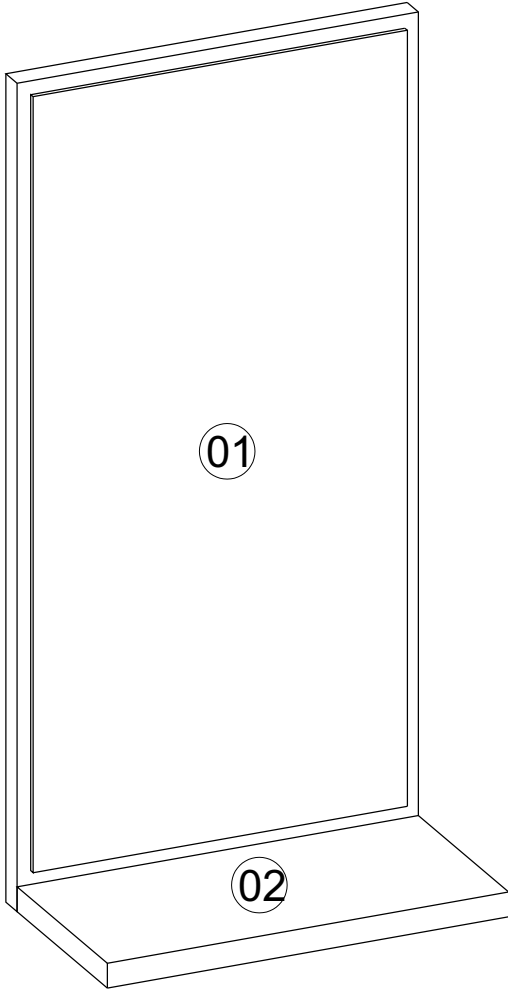
1



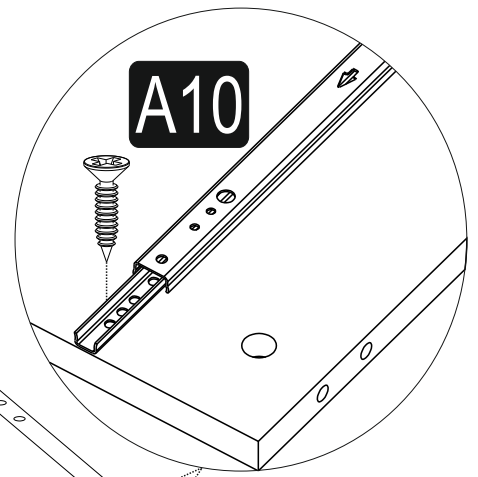
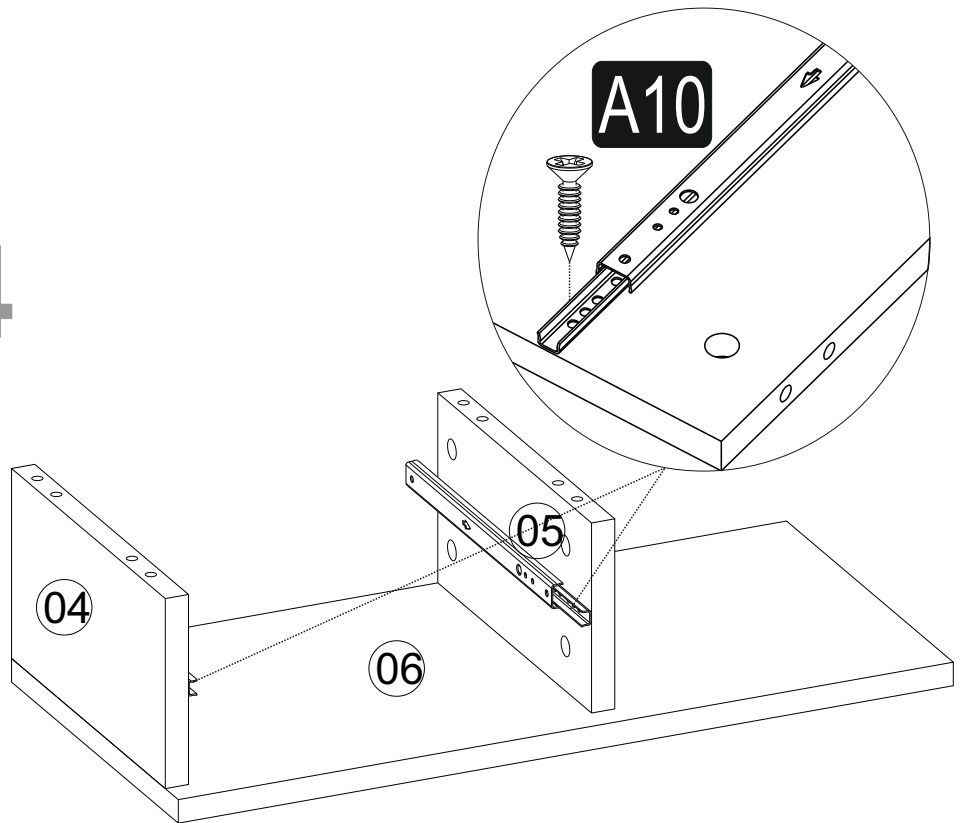
2



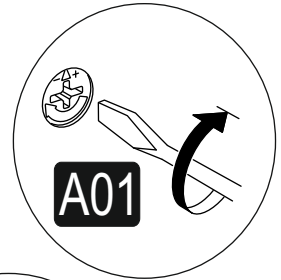
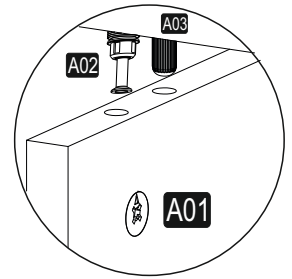
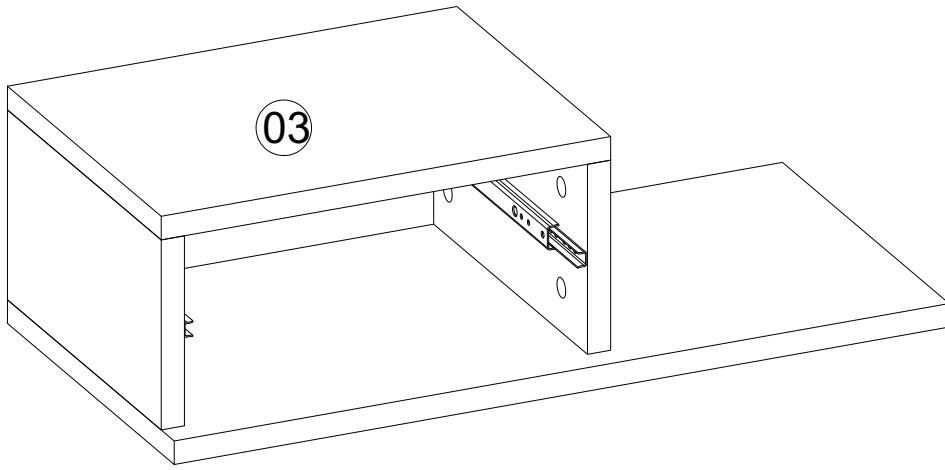
3



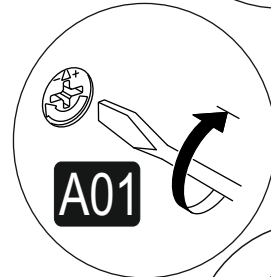
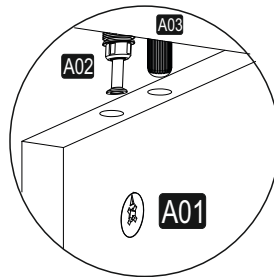
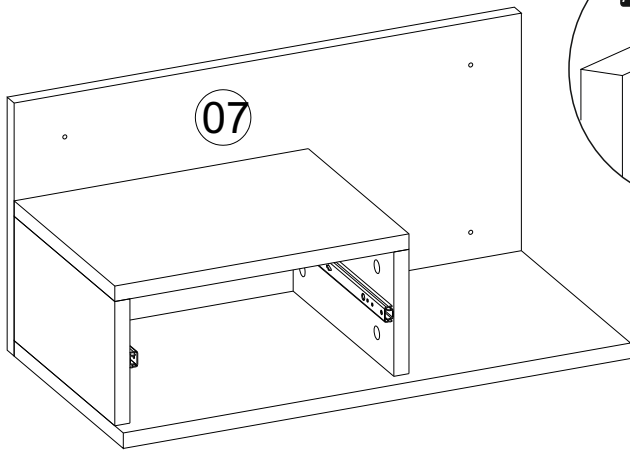
4



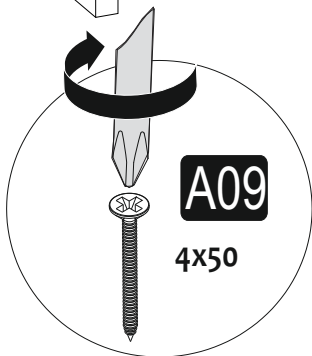
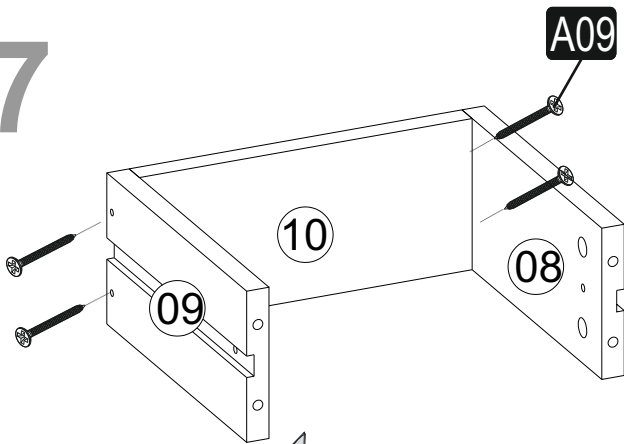
5



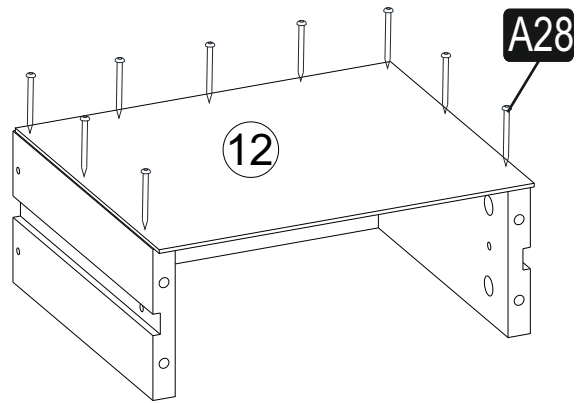
6



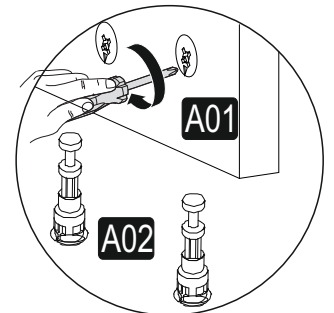
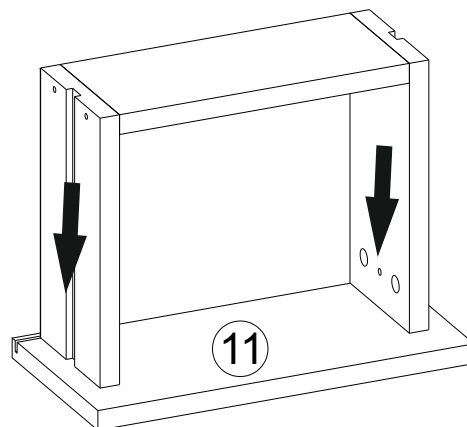
7



8

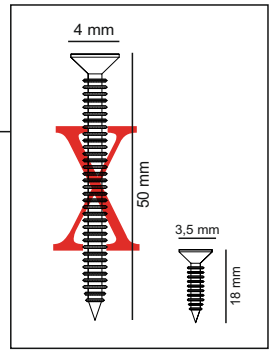
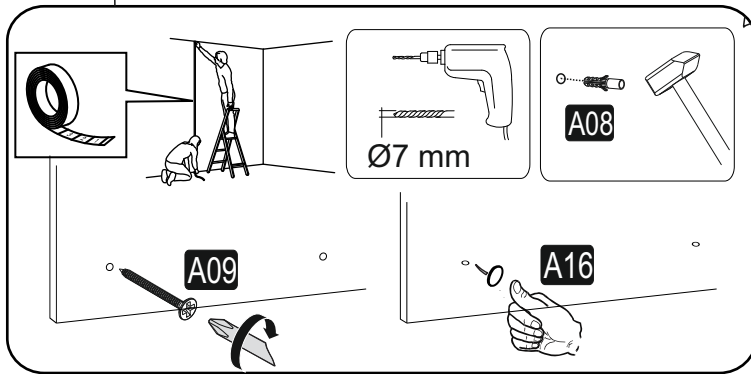
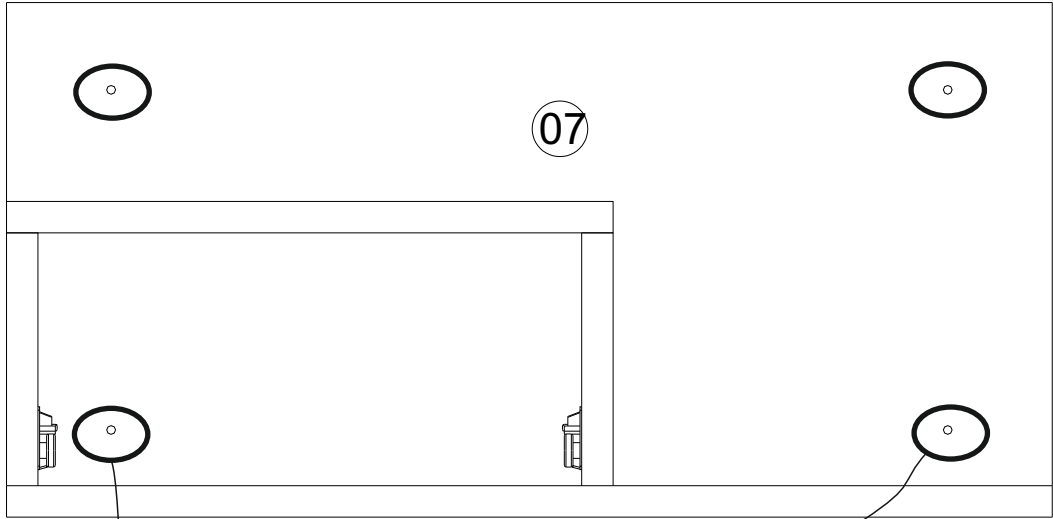


9

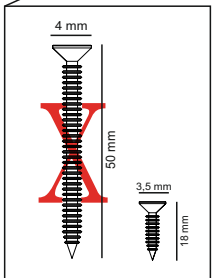
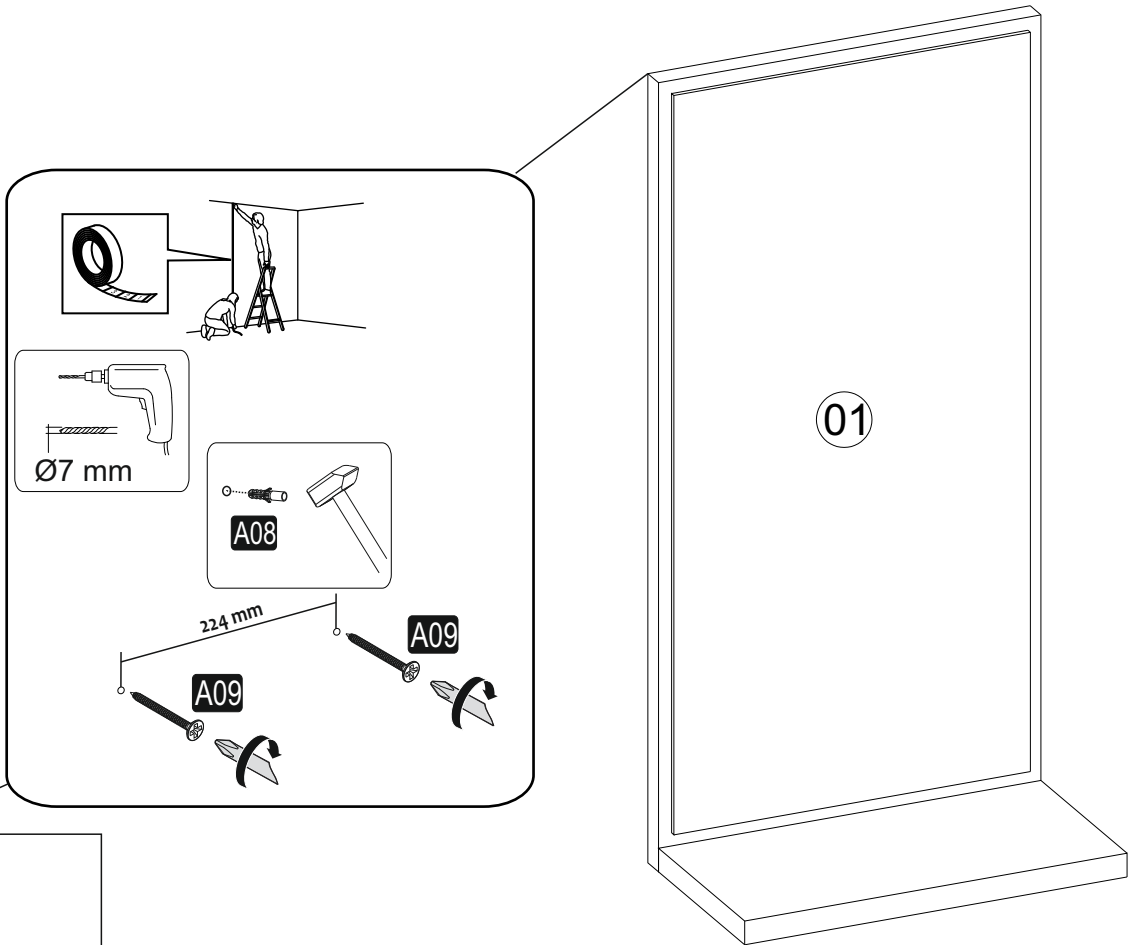


8

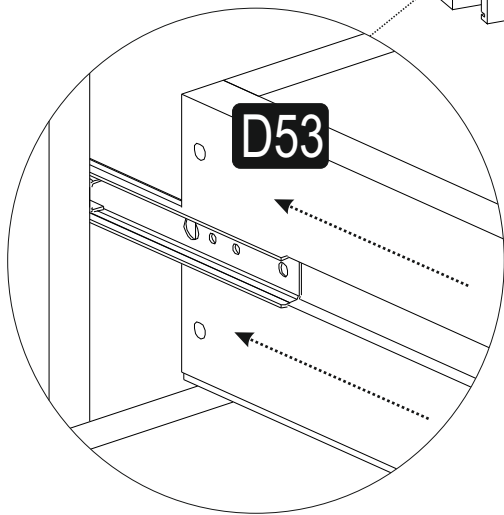
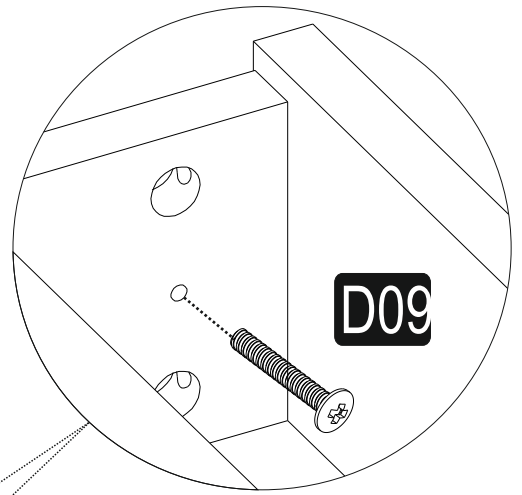
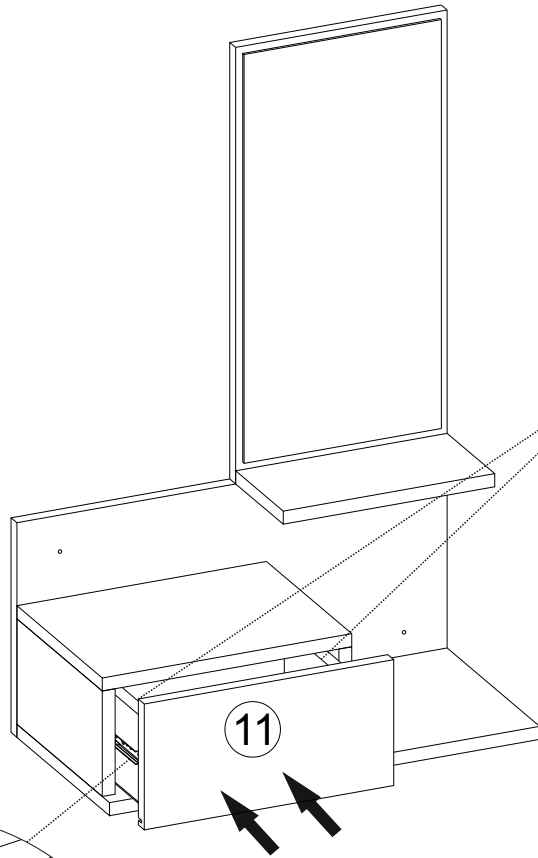
10



11



12



13

