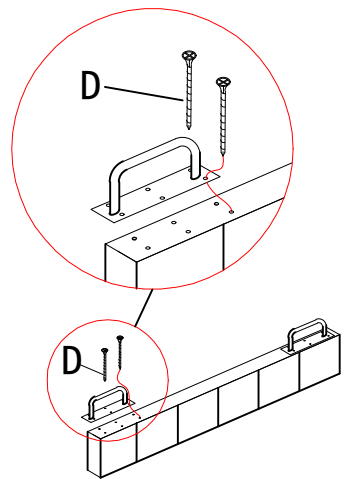
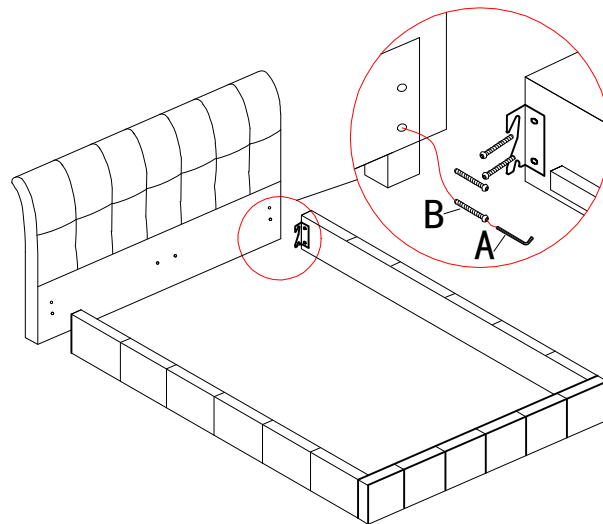


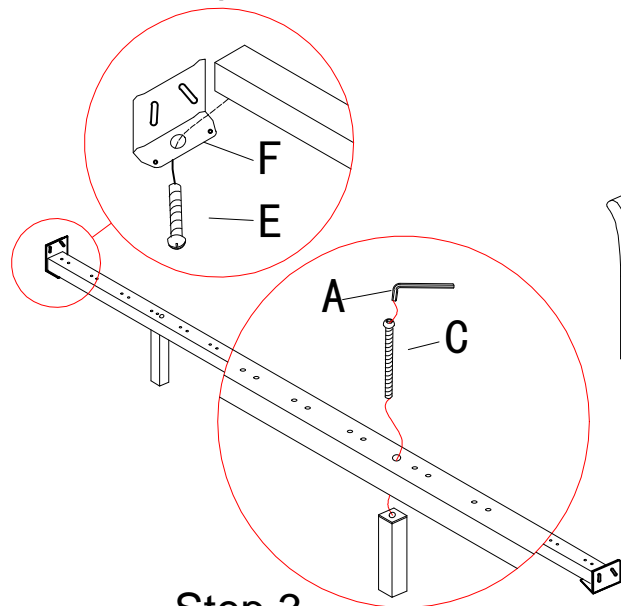
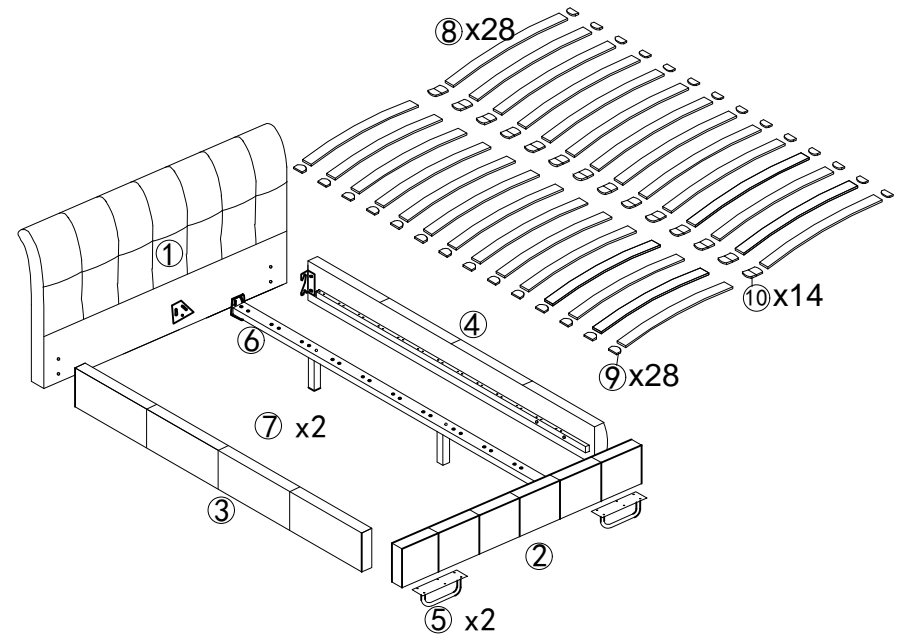
# CAAH017



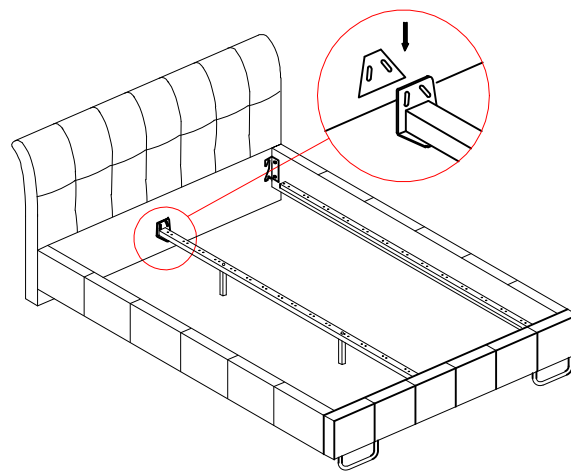
Step 1



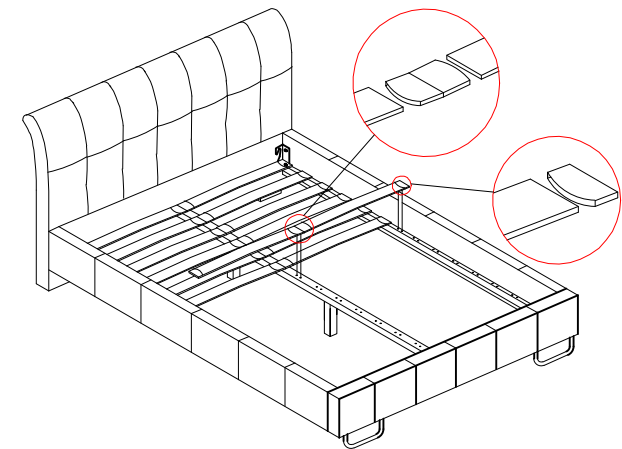
Step 2



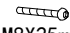
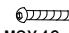

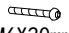

Step 3



Step 4



Step 5

- |   |   |   |   |   |   |
|---|---|---|---|---|---|
|  |  |  |  |  |  |
| Ax1   | Bx16  | Cx2   | Dx8   | Ex2   | Fx2   |