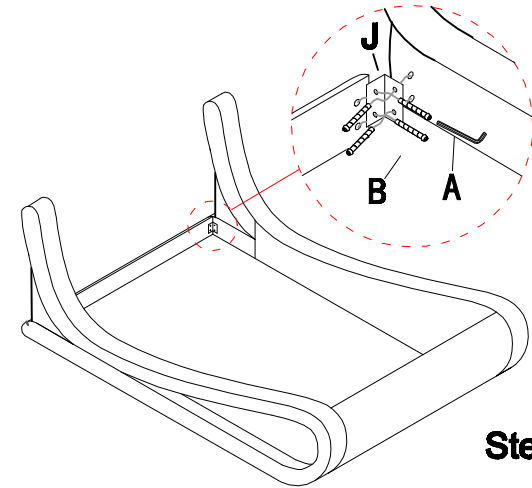
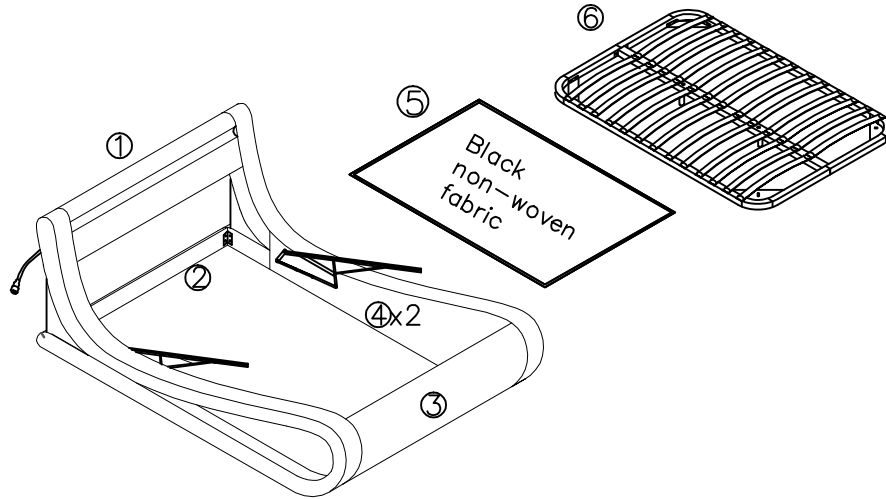
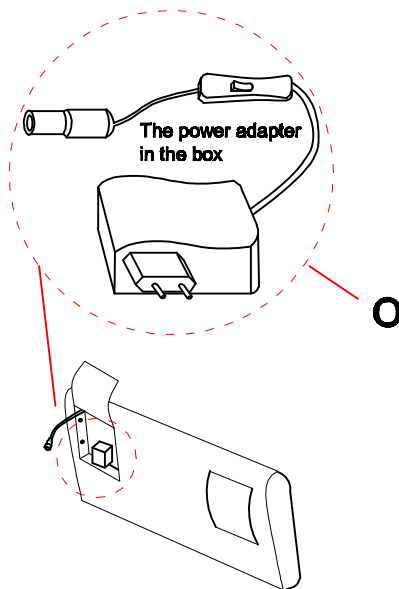


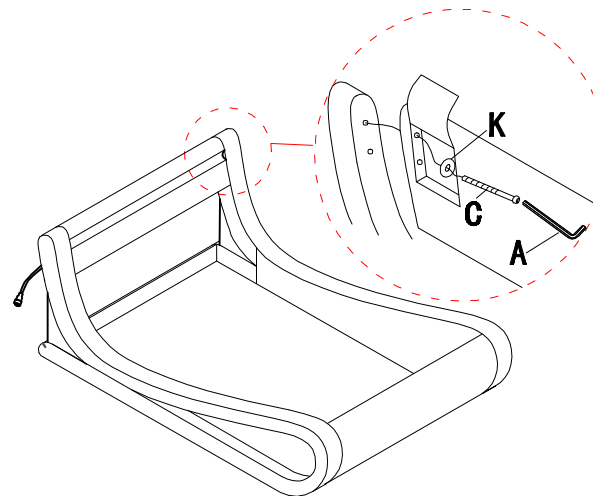
ASSEMBLY INSTRUCTION



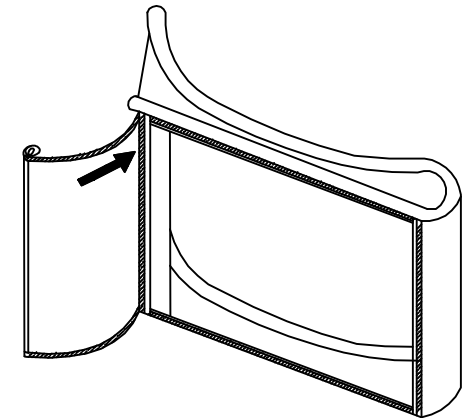
Step 1



Step 2

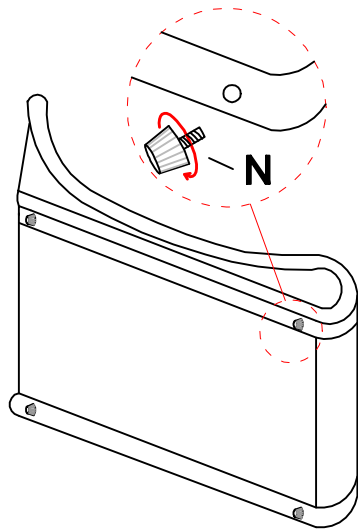


Step 3

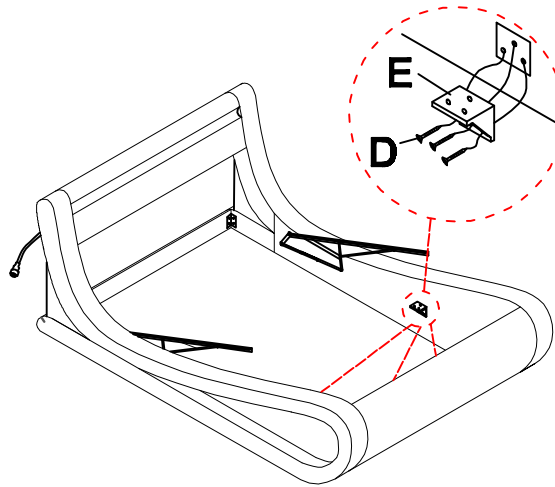


Step 4

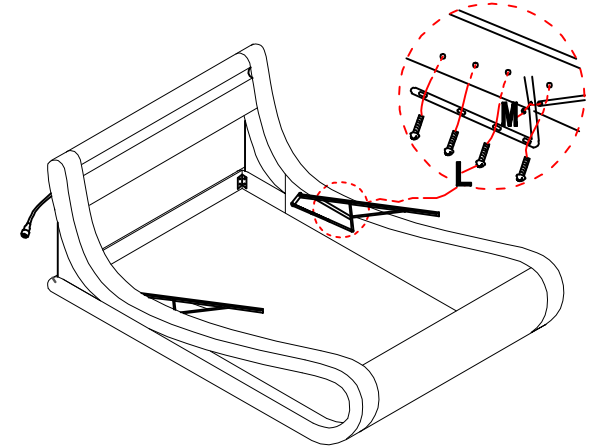
ASSEMBLY INSTRUCTION



Step 5



Step 6



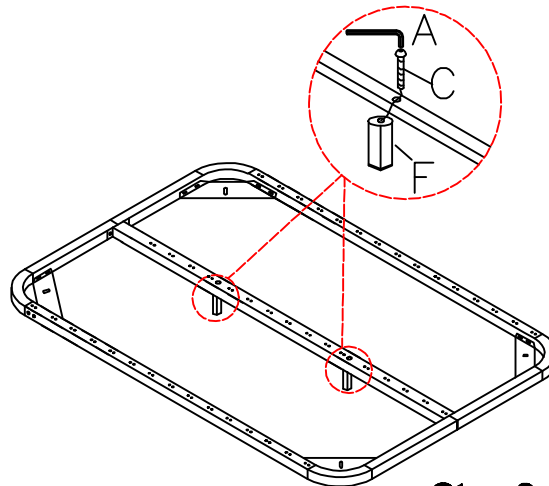
Step 7

Ax1	Bx16	Cx6	Dx12

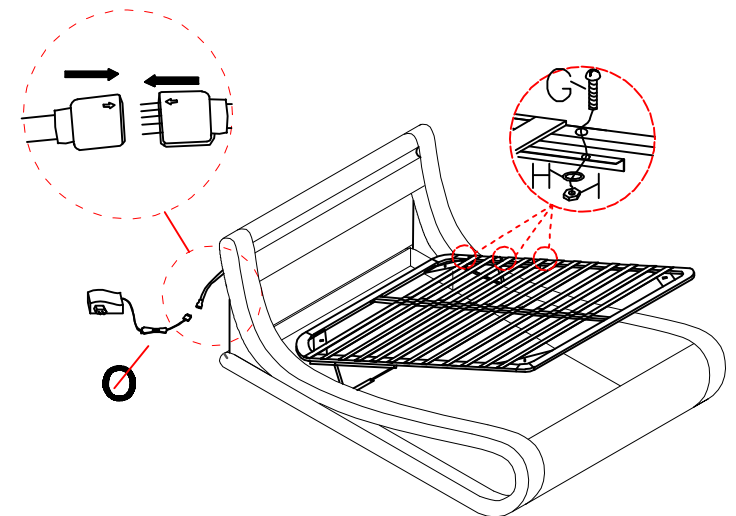
Ex4	Fx2	Gx6	Hx6

Ix6	Jx4	Kx4	Lx8

Mx2	Nx4	Ox1



Step 8



Step 9