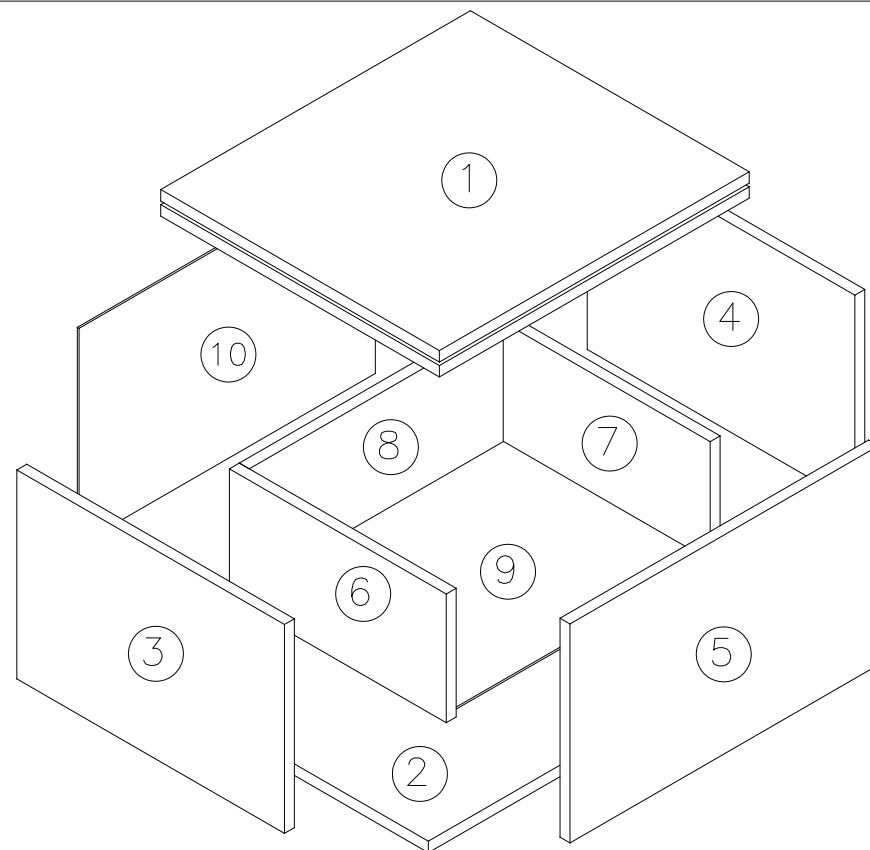
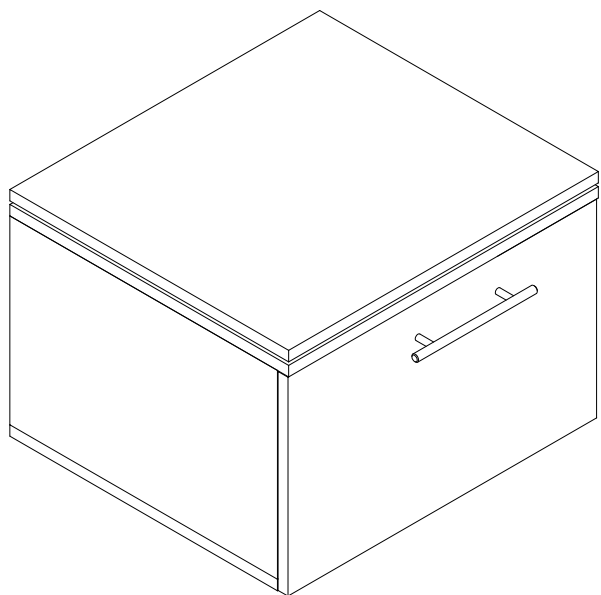
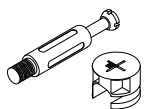


Victoria

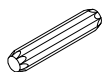


A



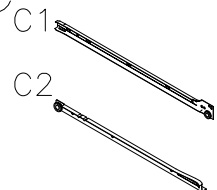
12PCS

B



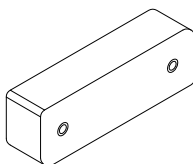
8PCS

C



2PCS

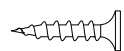
D



4PCS

E

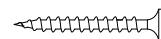
3.5*14



8PCS

F

3.5*25



8PCS

G

3.5*35



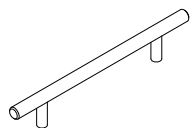
4PCS

H



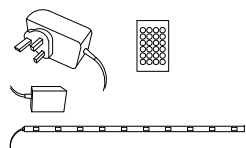
2PCS

I



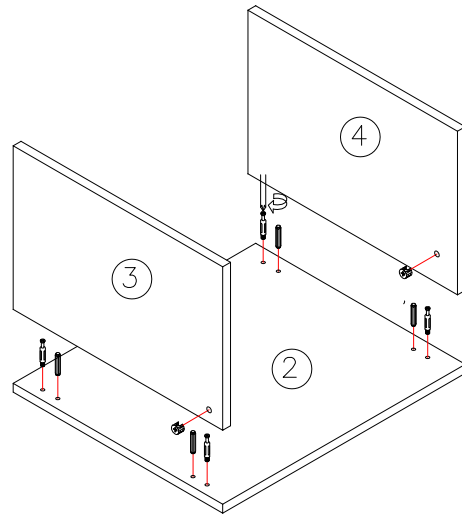
1PCS

LED



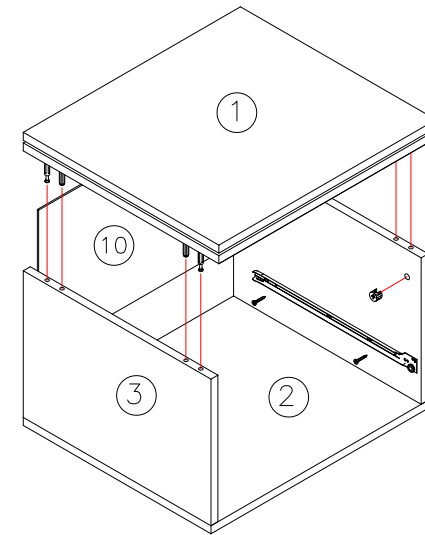
1PCS

1



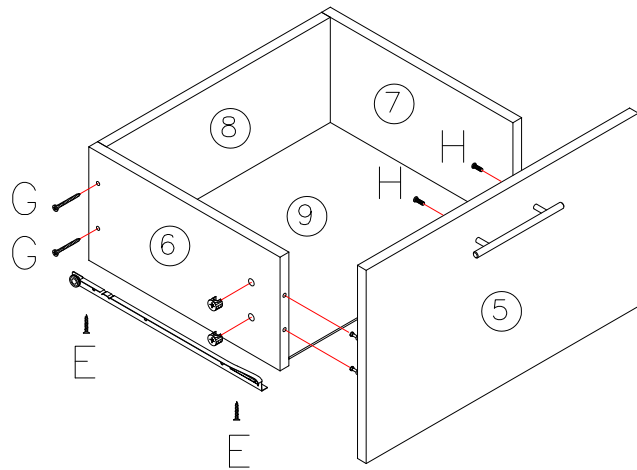
A*4 B*4

2



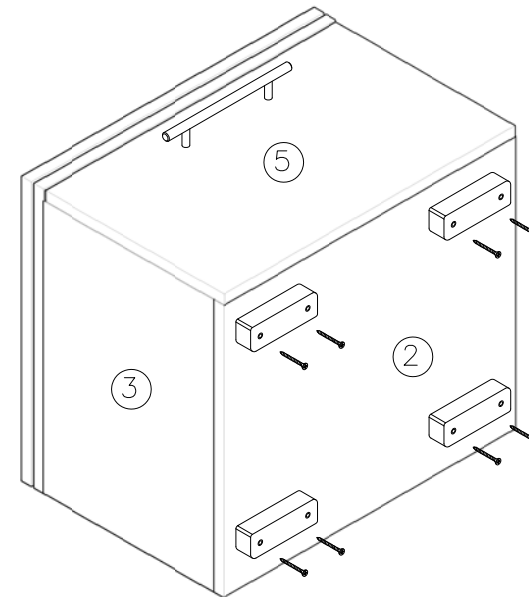
A*4 B*4 C1*2 E*4

3



A*4 C2*2 E*4 H*2 I*1

4



D*4 F*8

5

The following
installation
LED lights

